



PREMIUM ELECTRIC OUTBOARD MOTORS



Alibaba Shop



Cooperation



HASWING

CATALOGUE

汉飞动力 产品目录

ZhongShan YaTai Electric Appliances Co., Ltd.

Add: No.4 XinLong Street, NanLong, SanXiang, ZhongShan, GuangDong, China
Postcode: 528463

Email: benson@haswing.com, daniel@haswing.com

Tell: +86 180 2839 0064(Benson), +86 181 2538 1542(Daniel),
+86 760 8633 8326, +86 760 8669 2666,

Fax: +86 760 8669 2996

400 Hotline: 400-858-1110



9 580208 500003

WWW.HASWING.COM

zsyatai.en.alibaba.com



PRODUCT CATALOGUE

DIRECTORY

MOTOR

OSAPIAN 50701 / 50702 / 50703	3
OSAPIAN F 50708 / 50714 / 50716	4
COMAX N 50717	5
W20 50735	6
CAYMAN B 50700 / 50718D	7
CAYMAN B with GPS 50736	8
CAYMAN B with GPS 50739 / 50738	9
CAYMAN T 50706 / 50757	10
PROTRUAR 50711 / 50712	11
PROTRUAR 50744 / 50745 / 50715	12
PROTRUAR G 50728 / 50713	13
PROTRUAR 5.0 50719	14
PROTRUAR 3.0 50754 / 50756	15
PROTRUAR GENIUS 50765	16
ULTIMA 50741	17
VENTURA T 50749	18
VENTURA F 50752	19
ARMADA T 50731 / 50732	20
ARMADA F 50733 / 50734	21
W40 54706	22
W40-GPS 54707	23
HASWING FISHING BOAT 54604	24

ACCESSORIES

Replacement Parts	25
--------------------------	----

MODEL OSAPIAN

50701
12V-30Lbs

50702
12V-40Lbs

50703
12V-55Lbs

MODEL OSAPIAN F

50708
12V-30Lbs

50714
12V-40Lbs

50716
12V-55Lbs



Foldable Handle
角度调节旋钮

Multi-Speed F/R
前进/后退档位调速

型号 Model	杆长 Shaft Length	有效深度 Effective Depth
50701	800mm	630mm
50702	900mm	730mm
50703	900mm	730mm

DD Brush Motor
有刷直驱电机

SPECIFICATIONS

MODEL: 产品型号:
50701 / 50702 / 50703

Power of thrust: 峰值推力:
30Lbs / 40Lbs / 55Lbs

Max Voltage: 电压:
DC 12V (All)

Power - Max: 功率:
360W / 500W / 600W

Amp - Max: 电流:
30A / 42A / 50A

Depth Adjustment: 深度调节:
Depth Collar (All)

Prop Type: 螺旋桨型号:
2-blade prop 9 inch diam (50701,50702)
3-blade prop 9.3 inch diam (50703)

Prop Speed at Full Power: 转速:
Max. 1200 / 1380 / 1250 rpm underwater

Battery Type Required: 电池要求:
1 x 105AH deep cycle (All)

Steering: 转向操控:
360 degree control (All)

Decibel Level (db): 噪音等级:
≤ 50db (All)

Weight (N.W.): 重量:
6.6kg / 7.1 kg / 8.6kg

Shaft Type: 主杆类型:
Cast Aluminum (All)

Shaft Length: 主杆长度:
800mm / 900mm / 900mm

Colour: 颜色:
Black (All)

Max Boat Length (Suggestion): 船长:
4m / 4.7m / 5.5m

SPECIFICATIONS

MODEL: 产品型号:
50708 / 50714 / 50716

Power of thrust: 峰值推力:
30Lbs / 40Lbs / 55Lbs

Max Voltage: 电压:
DC 12V (All)

Power - Max: 功率:
360W / 500W / 600W

Amp - Max: 电流:
30A / 42A / 50A

Depth Adjustment: 深度调节:
Depth Collar (All)

Prop Type: 螺旋桨型号:
2-blade prop 9 inch diam (50708,50714)
3-blade prop 9.3 inch diam (50716)

Prop Speed at Full Power: 转速:
Max. 1200 / 1380 / 1250 rpm underwater

Battery Type Required: 电池要求:
1 x 105AH deep cycle (All)

Steering: 转向操控:
360 degree control (All)

Decibel Level (db): 噪音等级:
≤ 50db (All)

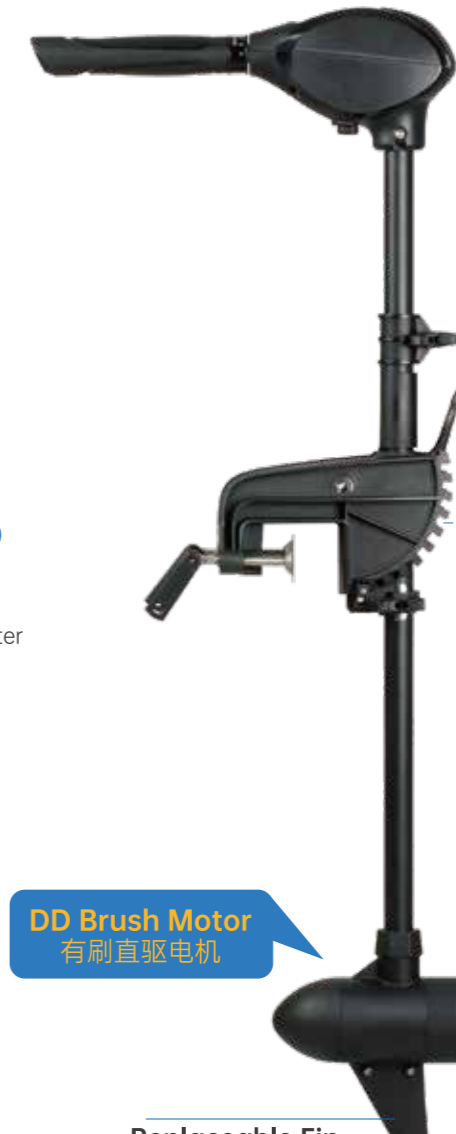
Weight (N.W.): 重量:
6.3kg / 6.9kg / 8.4kg

Shaft Type: 主杆类型:
Cast Aluminum (All)

Shaft Length: 主杆长度:
800mm / 900mm / 900mm

Colour: 颜色:
Black (All)

Max Boat Length (Suggestion): 船长:
4m / 4.7m / 5.5m



Multi-Speed F/R
前进/后退档位调速

型号 Model	杆长 Shaft Length	有效深度 Effective Depth
50708	800mm	630mm
50714	900mm	730mm
50716	900mm	730mm

DD Brush Motor
有刷直驱电机

Replaceable Fin
独立鳍

The **Osapian** series use durable 12 volt motors in three models: 30lbs(50701), 40lbs(50702), and 55lbs (50703). The Osapian motors are equipped with 5 forward gears and 3 reverse gears. The Osapian models are light-weight (starting at 6.6 kilograms), easy to carry and very compact due to its foldable handle.

The depth and height can be easily adjusted, so you can move in water at almost any depth. The steering handle can be adjusted to different angles to get a more comfortable control posture. All Osapian models are equipped with LED battery status indicators, they are all suitable for both salt water and fresh water use.

Osapian系列采用了耐用的12伏电机，分为三种型号：30磅(50701)、40磅(50702)和55磅(50703)。Osapian系列配有5个前进档和3个倒档。本系列产品重量轻(净重6.6公斤)，加上其可折叠的舵柄和头部折叠结构，因此收纳非常紧凑、易于携带。

深度和高度都可以轻松调整，因此您可以在大部分水域中使用。转向手柄也可以调节到不同的角度，从而获得更舒适的控制驾驶姿态。所有Osapian系列产品均配备了LED电池电量指示灯，它们都适合在海水和淡水中使用。

角度调节支架 TILTABLE BRACKET

Offers 10 tilt position.

伸缩性操纵手柄 EXTENDABLE HANDLE

350mm length of handle extension.

角度调节支架 TILTABLE BRACKET

Offers 10 tilt position.

推进变速调节 SPEED CONTROL

Features 5-speed levels of forward and 3-speed levels of reverse control.

推进变速调节 SPEED CONTROL

Features 5-speed levels of forward and 3-speed levels of reverse control.

电源显示 BATTERY STATUS

Display 5 levels of battery power.

伸缩性操纵手柄 EXTENDABLE HANDLE

350mm length of handle extension.

电源显示 BATTERY STATUS

Display 3 levels of battery power.

The **Osapian F** series use durable 12 volt motors in three models: 30lbs (50708), 40lbs (50714), and 55lbs (50716). The Osapian F series motors are equipped with 5 forward gears and 3 reverse gears. The Osapian F series products are light-weight (starting at 6.3 kilograms), easy to carry and very compact due to their foldable handle.

The depth and height can be easily adjusted, so you can move in water at almost any depth. The steering handle can be adjusted to different angles to get a more comfortable control posture. All Osapian models are equipped with LED battery status indicators, they are all suitable for both salt water and fresh water use.

Osapian F系列采用耐用的12伏电机，分为三种型号：30磅(50708)、40磅(50714)和55磅(50716)。Osapian F系列配有5个前进档和3个倒档。本系列产品重量轻(净重6.3公斤)，加上其可伸缩的舵柄，收纳紧凑、易于携带。

深度和高度都可以轻松调整，因此您可以在大部分水域中使用。转向手柄也可以调节到不同的角度，从而获得更舒适的控制驾驶姿态。所有Osapian F系列产品均配备了LED电池电量指示灯，且都适合在海水和淡水中使用。

MODEL
COMAX N

50717 with Motor Up & Down System
12V-55Lbs



SPECIFICATIONS

MODEL: 产品型号:
50717

Power of thrust: 峰值推力:
55Lbs

Max Voltage: 电压:
DC 12V

Power - Max: 功率:
600W

Amp - Max: 电流:
50A

Depth Adjustment: 深度调节:
Electric Trim System

Prop Type: 螺旋桨型号:
3-blade prop / 9.3 inch diam

Prop Speed at Full Power: 转速:
Max. 1250 rpm underwater

Battery Type Required: 电池要求:
1 x 105AH deep cycle

Steering: 转向操控:
90 degree control

Decibel Level (db): 噪音等级:
≤ 50db

Weight (N.W.): 重量:
14.5kg

Shaft Type: 主杆类型:
Stainless Steel

Shaft Length: 主杆长度:
Variable

Colour: 颜色:
White

Max Boat Length (Suggestion): 船长:
5.5m

MODEL
W20

50735
12V-20Lbs

SPECIFICATIONS

MODEL: 产品型号:
50735

Power of thrust: 峰值推力:
20Lbs

Max Voltage: 电压:
DC 12V

Power - Max: 功率:
200W

Amp - Max: 电流:
17A

Depth Adjustment: 深度调节:
Depth Collar

Prop Type: 螺旋桨型号:
2-blade prop / 5.9 inch diam

Prop Speed at Full Power: 转速:
Max. 1200 rpm underwater

Battery Type Required: 电池要求:
1 x 20AH deep cycle

Steering: 转向操控:
360 degree control

Decibel Level (db): 噪音等级:
≤ 50db

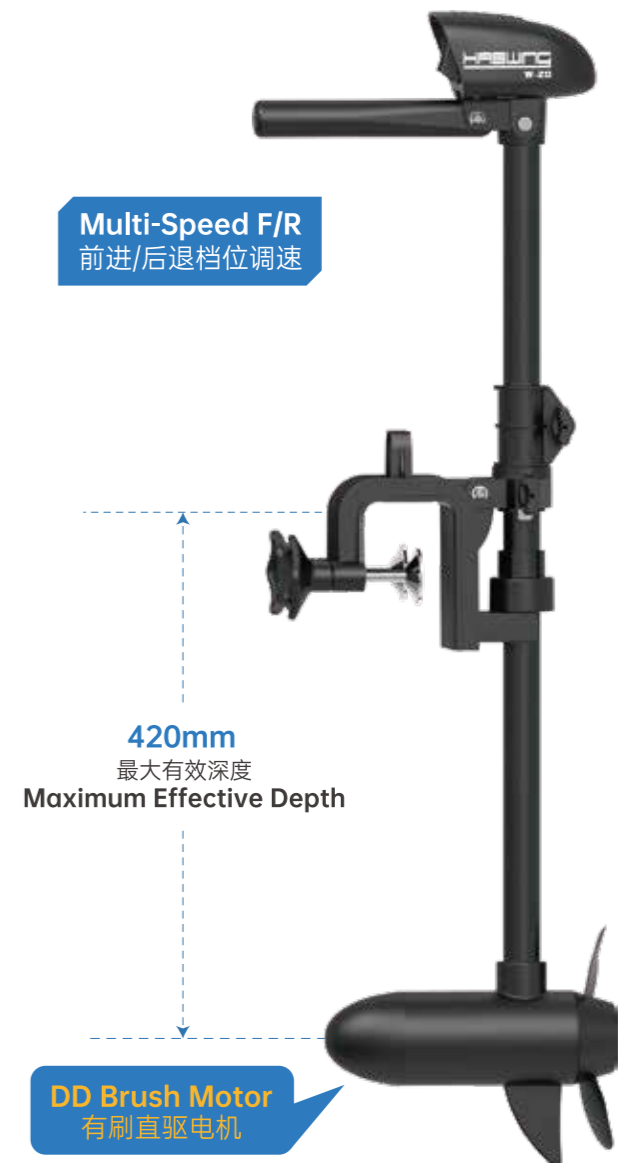
Weight (N.W.): 重量:
2.3kg

Shaft Type: 主杆类型:
Cast Aluminum

Shaft Length: 主杆长度:
600mm

Colour: 颜色:
Black

Max Boat Length (Suggestion): 船长:
3m



The **Comax N** electric trolling motor is designed for any water area, using a durable 12 volt 55 pound motor, innovative integrated electric trim system, 2:1 steering system and the retractable handle can assist drivers in maneuvering in narrow space. The Comax N motor is equipped with a step-less speed change controller, which provides precise power control and is very suitable for pushing at the optimal speed. Comax N is also equipped with LED battery status indicator lights, suitable for both salt water and fresh water use.

Comax N 电动推进器为通用所有水域设计，其耐用的12伏55磅推力电机和创新的集成电动配平系统、2:1转向系统可以帮助驾驶者在狭小空间内操作手柄。Comax N电机配备了一个无极变速控制器，它可提供精确的功率控制，非常适合以最佳速度进行推动。Comax N还配备了LED电池电量指示灯，适合在海水和淡水里使用。

角度调节支架 TILTABLE BRACKET

Offers 10 tilt position.

电动升降调节 ELECTRIC LIFTING

Press to control the motor up or down. 265mm depth of motor extension

角度调节支架 TILTABLE BRACKET

Offer 0° and 90° of tilting position

推进变速调节 SPEED CONTROL

Provide Forward / Reverse with High and Low speed control.

2:1操控转向手柄 2:1 STEERING

90° - 2:1 steering system to control the motor 180° turning.

电源显示 BATTERY STATUS

Display 3 levels of battery power.

手柄角度调节 FOLDABLE HANDLE

Angle of the handle can adjust 0 to 10 degrees.

电源显示 BATTERY STATUS

Display 3 levels of battery power.

The **W20** uses a durable 12 volt motor that can provide a thrust of 20 pounds. W20 has 2 forward gears and 2 reverse gears. It weighs only 2.3 kilograms, is very light, easy to carry and due to its foldable handle, it is very compact.

The depth is easily adjustable, so you can move in water at almost any depth. The handle can be adjusted to different angles for easy retraction and the motor is also equipped with an LED battery status indicator, it's suitable for both salt water and fresh water use.

W20采用耐用的12伏电机，可提供20磅的推力。W20具有2个前进档和2个倒档。它只有2.3公斤，非常轻，加上其可折叠的舵柄，整体造型紧凑、易于携带。深度可轻松调整，因此在大部分水域中都能使用。舵柄可调节到不同的角度，便于操控，电机还配有LED电池电量指示器，适合在海水和淡水中使用。

MODEL CAYMAN B

50700 | **50718D**
12V-55Lbs | 24V-80Lbs

REMOTE CONTROL SERIES 遥控系列

SPECIFICATIONS

MODEL: 产品型号:
50700 / 50718D

Power of thrust: 峰值推力:
55Lbs / 80Lbs

Max Voltage: 电压:
DC 12V / 24V

Power - Max: 功率:
600W / 1080W

Amp - Max: 电流:
50A / 45A

Depth Adjustment: 深度调节:
Depth Collar (All)

Prop Type: 螺旋桨型号:
3-blade prop 9.3 inch diam (50700)
2-blade prop 11.4 inch diam (50718D)

Prop Speed at Full Power: 转速:
Max. 1250 rpm underwater (50700)
Max. 1500 rpm underwater (50718D)

Battery Type Required: 电池要求:
1 x 105AH deep cycle (50700)
2 x 105AH deep cycle (50718D)

Steering: 转向操控:
360 degree control (All)

Decibel Level (db): 噪音等级:
≤ 50db (All)

Weight (N.W.): 重量:
13.7kg / 17.5 kg / 19.2kg

Shaft Type: 主杆类型:
Cast Aluminum (1200mm / 1370mm)
Stainless Steel (1490mm)

Shaft Length: 主杆长度:
1200mm / 1370mm / 1490mm

Colour: 颜色:
Black (All)

Max Boat Length (Suggestion): 船长:
5.5m / 6.5m

Included! 标配! 50802



Wireless Remote Controller
无线遥控器

One-Way Stepless Speed
单向无级调速

Depth Collar
深度定位套

Optional! 选配! 50800



Wired Foot Controller
有线脚踏遥控器

型号 Model	杆长 Shaft Length	有效深度 Effective Depth
50700	1200mm	1000mm
50718D	1370mm	1170mm
	1490mm	1290mm

DD Brush Motor
有刷直驱电机

Replaceable Fin
独立鳍

The Cayman B bow mount trolling motor is developed for fishermen seeking an electric trolling motor but who do not require spot lock function. It can be controlled via wireless hand remote or wired foot controller. This fully functional trolling motor is supplied with a wireless hand remote control, a sacrificial anode and a waterproof structure as well as all necessary 316 stainless steel nuts and bolts, which can be directly installed on the boat. As for installation, you can choose our quick release bracket (59927) to quickly dismount the machine when not using it. The size of the bottom plate is only 120mm x 200mm. All models are equipped with LED battery status lights. A wired foot controller and a quick release bracket are optional. The Cayman B is suitable for both salt water and fresh water use.

Cayman B 船首推进器是为那些需要通过无线遥控器或有脚踏板来控制的钓鱼爱好者和渔民而开发的。这款功能齐全的船首推进器标配无线手动遥控器、内有牺牲阳极，产品结构防水性能优秀。提供所有符合标准的不锈钢螺母和螺栓，可以直接安装在船上，也可安装上选用的HASWING快拆板，在不使用机器的情况下快速拆卸机器，底板尺寸仅120mm×200mm。所有型号均配有LED电池表。可选配置有无线脚踏控制器和快拆底板。机器适合在海水和淡水中使用。

推进器收放脚踏 DEPLOY/STOW PEDAL



Press it to deploy or stow the motor easily.

无线遥控器 REMOTE CONTROLLER



Function: ON/OFF, Speed UP/DOWN, Full Speed, Turn LEFT/RIGHT, Pairing.

独立鳍翼设计 REPLACEABLE FIN



The replaceable fin will protect motor and propeller from being hit under water.

电源显示 BATTERY STATUS



Display 3 levels of battery power.

50736

12V-55Lbs

REMOTE CONTROL GPS SERIES 遥控GPS系列

SPECIFICATIONS

MODEL: 产品型号:
50736

Power of thrust: 峰值推力:
55Lbs

Max Voltage: 电压:
DC 12V

Power - Max: 功率:
600W

Amp - Max: 电流:
50A

Depth Adjustment: 深度调节:
Depth Collar

Prop Type: 螺旋桨型号:
3-blade prop / 9.3 inch diam

Prop Speed at Full Power: 转速:
Max. 1250 rpm underwater

Battery Type Required: 电池要求:
1 x 105AH deep cycle

Steering: 转向操控:
360 degree control

Decibel Level (db): 噪音等级:
≤ 50db

Weight (N.W.): 重量:
13.9kg

Shaft Type: 主杆类型:
Cast Aluminum (1200mm / 1370mm)
Stainless Steel (1520mm / 1830mm)

Shaft Length: 主杆长度:
1200mm / 1370mm / 1520mm / 1830mm

Colour: 颜色:
Black

Max Boat Length (Suggestion): 船长:
5.5m

One-Way Stepless Speed
单向无级调速

The HELMSMAN Available Now!
舵手APP上线



Included! 标配! 50806



Wireless Remote Controller
无线遥控器

Depth Collar
深度定位套

Optional! 选配! 50805



Wireless Foot Controller
无线脚踏遥控器

杆长 Shaft Length	有效深度 Effective Depth
1200mm	1000mm
1370mm	1270mm
1520mm	1320mm
1830mm	1630mm

DD Brush Motor
有刷直驱电机

Replaceable Fin
独立鳍

Cayman B with GPS bow mount trolling motor, suitable for fishermen who require spot (anchor) lock function controllable by wireless hand remote control or wireless foot controller. This bow mount trolling motor with GPS comes with a hand wireless remote, sacrificial anode, and a waterproof structure as well as all necessary 316 stainless steel nuts and bolts, which can be directly installed on the boat. Additionally, the machine can be connected to smart phones through specially developed software. HELMSMAN APP offers functions such as electronic anchor, GPS intelligent navigation system, heading lock, route recording replay and cruise control. All models are equipped with LED battery status displays. Options include: wireless foot remote controller and quick release bracket. The machine is suitable for both saltwater and freshwater use.

Cayman B/GPS版船首顶流推进器，适用于那些需要通过无线遥控器或无线脚踏控制的钓鱼爱好者和渔民。这款功能齐全带GPS的顶流机标配无线手动遥控器、牺牲阳极，产品结构防水性能优秀。此外，机器还可通过专门研发的“舵手”APP与手机连接使用，拥有电子锚，GPS智能导航系统，航线定点记录及定速巡航等功能。所有电机均配有LED电池显示。可选配置有无线脚踏控制器和快拆底板。机器适合在海水和淡水中使用。

GPS智能导航系统 GPS SMART NAVIGATION SYSTEM



1. Record Routes
2. GPS Navigation
3. Anchor
4. Cruise Control

智能手机终端控制 SAMRT PHONE INTEGRATION



Download the HELMSMAN APP to operate all functions with your smart phone-Andriod or IOS.

推进器收放脚踏 DEPLOY/STOW PEDAL



Press it to deploy or stow the motor easily.

电源显示 BATTERY STATUS



Display 3 levels of battery power.

MODEL
CAYMAN B with GPS

REMOTE CONTROL GPS SERIES 遥控GPS系列

50739 | **50738**
24V-80Lbs | 36V-101Lbs

SPECIFICATIONS

MODEL: 产品型号:
50739 / 50738

Power of thrust: 峰值推力:
80Lbs / 101Lbs

Max Voltage: 电压:
DC 24V / 36V

Power - Max: 功率:
1080W / 1620W

Amp - Max: 电流:
45A (All)

Depth Adjustment: 深度调节:
Depth Collar (All)

Prop Type: 螺旋桨型号:
2-blade prop / 11.4 inch diam

Prop Speed at Full Power: 转速:
Max. 1500 rpm underwater (All)

Battery Type Required: 电池要求:
2 x 105AH deep cycle (50739)
3 x 105AH deep cycle (50738)

Steering: 转向操控:
360 degree control (All)

Decibel Level (db): 噪音等级:
< 50db (All)

Weight (N.W.): 重量:
21kg / 22.7kg

Shaft Type: 主杆类型:
Stainless Steel (All)

Shaft Length: 主杆长度:
1520mm / 1830mm / 2100mm / 2500mm

Colour: 颜色:
Black (All)

Max Boat Length (Suggestion): 船长:
6.5m / 7m

One-Way Stepless Speed
单向无级调速



Wireless Remote Controller
无线遥控器

The **HELMSMAN** Available Now!
舵手APP上线



Both IOS & Andriod
兼容苹果IOS和安卓系统

Route Recording
航线定点记录

Optional! 选配!



Wireless Foot Controller
有线脚踏遥控器

DD Brush Motor
有刷直驱电机

Replaceable Fin
独立鳍

Cayman B with GPS bow mount trolling motor, suitable for anglers and fishermen who need wireless remote control or wireless foot control motor with spot (anchor) lock. This bow mount trolling motor with GPS comes with a wireless remote controller, sacrificial anode and excellent waterproof structure. Additionally, the motor can also be connected to smart phones through specially developed software (HELMSMAN APP). It offers functions such as electronic anchor, GPS intelligent navigation system, route record/replay and cruise control. All motors are equipped with LED battery status displays. Options include: wireless foot remote controller and quick release bracket. The machine is suitable for both salt water and fresh water use.

GPS智能导航系统 GPS SMART NAVIGATION SYSTEM



1. Record Routes
2. GPS Navigation
3. Anchor
4. Cruise Control

智能手机终端控制 SAMRT PHONE INTEGRATION



Download the **HELMSMAN APP** to operate all functions with your smart phone-Android or IOS.

角度调节支架 TILTABLE BRACKET



Offer 0°~85° of tilting position

无线遥控器 REMOTE CONTROLLER



Function: ON/OFF, Speed UP/DOWN, Full Speed, Turn LEFT/RIGHT, Pairing.

推进器收放脚踏 DEPLOY/STOW PEDAL



Press it to deploy or stow the motor easily.

电源显示 BATTERY STATUS



Display 3 levels of battery power.

独立鳍翼设计 REPLACEABLE FIN



The replaceable fin will protect motor and propeller from being hit under water.

电源显示 BATTERY STATUS



Display 3 levels of battery power.

50706 | **50757**
12V-55Lbs | 24V-80Lbs

MODEL
CAYMAN T

REMOTE CONTROL SERIES 遥控系列

SPECIFICATIONS

MODEL: 产品型号:
50706 / 50757

Power of thrust: 峰值推力:
55Lbs / 80Lbs

Max Voltage: 电压:
DC 12V / 24V

Power - Max: 功率:
600W / 1080W

Amp - Max: 电流:
50A

Depth Adjustment: 深度调节:
Depth Collar (All)

Prop Type: 螺旋桨型号:
3-blade prop / 9.3 inch diam (50706)
2-blade prop / 11.4 inch diam (50757)

Prop Speed at Full Power: 转速:
Max. 1250 rpm underwater (50706)
Max. 1500 rpm underwater (50757)

Battery Type Required: 电池要求:
1 x 105AH deep cycle (50706)
21 x 105AH deep cycle (50757)

Steering: 转向操控:
360 degree control (All)

Decibel Level (db): 噪音等级:
< 50db (All)

Weight (N.W.): 重量:
11.8kg / 13.0kg

Shaft Type: 主杆类型:
Cast Aluminum (All)

Shaft Length: 主杆长度:
1000mm (All)

Colour: 颜色:
Black (All)

Max Boat Length (Suggestion): 船长:
5.5m / 6.5m

One-Way Stepless Speed
单向无级调速



Wireless Remote Controller
无线遥控器

Depth Collar
深度定位套



Wired Foot Controller
有线脚踏遥控器

820mm
最大有效深度
Maximum Effective Depth

DD Brush Motor
有刷直驱电机

Replaceable Fin
独立鳍

The Cayman T transom mount trolling motor is designed specifically for anglers and fishermen who require wireless remote control or wired foot control on a transom mounted motor. It is supplied with a wireless hand remote control (non spot lock), sacrificial anode and excellent waterproof structure. The Cayman T features one-way stepless speed control; depth and height can be easily adjusted so you can move in almost any water depth. Equipped with LED battery status display; and a wired foot controller is optionally available. Perfect for small boats and fishing kayaks/canoes and is suitable for both saltwater and fresh water use.

Cayman T后推推进器是专为那些需要通过无线遥控器或有线脚踏控制的钓鱼爱好者和渔民。这款后推推进器标配无线手控遥控器、牺牲阳极，产品结构防水性能优秀。Cayman T推进器采用单向无级调速。深度和高度都可以很容易调节，所以你几乎可以在任何水中使用。所有电机均配有LED电池表。可选配置包有有线脚踏控制器，此推进器适合于海水和淡水中使用。

MODEL
PROTRUAR

50711
12V-1.0HP

50712
24V-2.0HP



Multi-Speed F/R
前进/后退档位调速

630mm
最大有效深度
Maximum Effective Depth

DD Brushless Motor
无刷直驱电机

SPECIFICATIONS

- MODEL:** 产品型号:
50711 / 50712
- Shaft Power:** 动力
1HP / 2HP
- Comparable Petrol Outboards (Thrust):** 等效汽油机:
2HP / 3HP
- Power of thrust:** 峰值推力:
65Lbs / 85Lbs
- Max Voltage:** 电压:
DC 12V / 24V
- Power - Max:** 功率:
600W / 960W
- Amp - Max:** 电流:
50A / 40A
- Depth Adjustment:** 深度调节:
Depth Collar (All)
- Prop Type:** 螺旋桨型号:
3-blade prop 9.3 inch diam (All)
- Prop Speed at Full Power:** 转速:
Max. 1250 rpm underwater (50711)
Max. 1350 rpm underwater (50712)
- Battery Type Required:** 电池要求:
1 x 105AH deep cycle (50711)
2 x 105AH deep cycle (50712)
- Steering:** 转向操控:
360 degree control (All)
- Decibel Level (db):** 噪音等级:
≤ 50db (All)
- Weight (N.W.):** 重量:
6.7kg / 7.1kg
- Shaft Type:** 主杆类型:
Cast Aluminum (All)
- Shaft Length:** 主杆长度:
900mm (All)
- Colour:** 颜色:
Black (All)
- Max Boat Length (Suggestion):** 船长:
6m / 6.5m

50744
12V-1.0HP

50745
24V-2.0HP

50715
24V-3.0HP

MODEL
PROTRUAR

ELECTRIC BRUSHLESS SERIES 电动无刷推进器系列

SPECIFICATIONS

- MODEL:** 产品型号:
50744 / 50745 / 50715
- Shaft Power:** 动力
1HP / 2HP / 3HP
- Comparable Petrol Outboards (Thrust):** 等效汽油机:
2HP / 3HP / 4HP
- Power of thrust:** 峰值推力:
65Lbs / 85Lbs / 110Lbs
- Max Voltage:** 电压:
DC 12V / 24V / 24V
- Power - Max:** 功率:
600W / 960W / 1440W
- Amp - Max:** 电流:
50A / 40A / 60A
- Depth Adjustment:** 深度调节:
Depth Collar (All)
- Prop Type:** 螺旋桨型号:
3-blade prop / 9.3 inch diam (All)
- Prop Speed at Full Power:** 转速:
Max. 1250 rpm underwater (50744)
Max. 1350 rpm underwater (50745)
Max. 1450 rpm underwater (50715)
- Battery Type Required:** 电池要求:
1 x 105AH deep cycle (50744)
2 x 105AH deep cycle (50745, 50715)
- Steering:** 转向操控:
360 degree control (All)
- Decibel Level (db):** 噪音等级:
≤ 55db (All)
- Weight (N.W.):** 重量:
6.6kg / 6.9kg / 9.9kg
- Shaft Type:** 主杆类型:
Cast Aluminum (50744, 50745)
Stainless Steel (50715)
- Shaft Length:** 主杆长度:
900mm (All)
- Colour:** 颜色:
Black (All)
- Max Boat Length (Suggestion):** 船长:
6m / 6.5m / 7m



Stepless Speed Control
无级变速控制

Stepless Speed F/R
前进/后退无极调速

700mm
最大有效深度
Maximum Effective Depth

DD Brushless Motor
无刷直驱电机

The **Protruar** models are equipped with innovative and powerful 12V or 24V motors, providing excellent propulsion for various boats and waterways. They are equipped with stepless speed control for forward and reverse modes.

The motor can be easily tilted as well as height adjusted for different water depths, allowing you to use it in most water levels. They are equipped with LED battery status indicators, and are suitable for both salt water and fresh water use.

Protruar系列推进器配备了创新且强大的12V或24V电机，可以为各种船在各水域提供出色的动力，推进器配有5个前进档和3个倒档。

深度高度都可以轻松调整，因此您可以在任何深度的水域中使用。转向手柄可以调节到不同角度，从而实现舒适地控制推进器。所有型号都配有LED电池电量指示灯。此系列适合在海水和淡水中使用。

角度调节支架 TILTABLE BRACKET



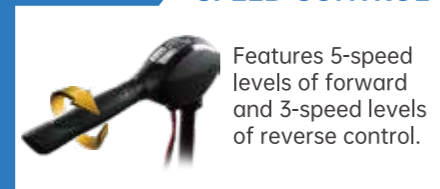
Offers 10 tilt position.

伸缩性操纵手柄 EXTENDABLE HANDLE



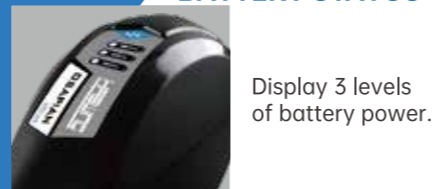
350mm length of handle extension.

推进变速调节 SPEED CONTROL



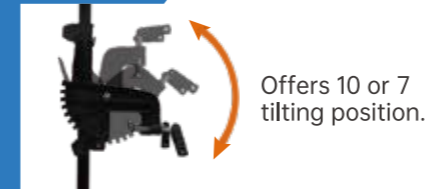
Features 5-speed levels of forward and 3-speed levels of reverse control.

电源显示 BATTERY STATUS



Display 3 levels of battery power.

角度调节支架 TILTABLE BRACKET



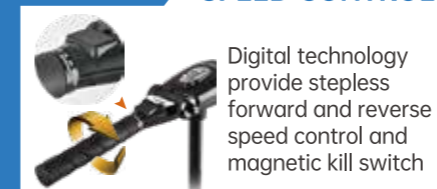
Offers 10 or 7 tilting position.

伸缩+角度调节操纵手柄 EXTEND & FOLD



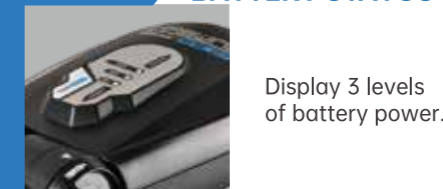
400mm length of handle extension. Trolling handle has folding functions. Folding angle: 180°

推进变速调节 SPEED CONTROL



Digital technology provide stepless forward and reverse speed control and magnetic kill switch

电源显示 BATTERY STATUS



Display 3 levels of battery power.

The **Protruar** models are equipped with innovative and powerful 12V or 24V motors, providing excellent propulsion for various boats and waterways. They are equipped with step-less speed control for forward and reverse modes. The motor can be easily tilted as well as height adjusted for different water depth, allowing you to use it in most water levels. They are equipped with LED battery status indicators, and are suitable for both salt water and fresh water use.

Protruar型号配备了创新且强大的12V或24V电机，为各种船只和在各水域中提供了出色的推进力，配备无级调速控制。电机可以轻松地倾斜放入水中，出水也可轻松提起放置。微调高度可以通过快速锁定进行调节，因此您可以在任何深度的水域中使用电机。它们配有LED电池指示器，适合在海水和淡水中使用。

MODEL
PROTRUAR G

50728 with Gear Box
24V-3.0HP

50713 with Gear Box
24V-4.0HP

50719
24V-5.0HP

MODEL
PROTRUAR 5.0

ELECTRIC BRUSHLESS SERIES 电动无刷推进器系列

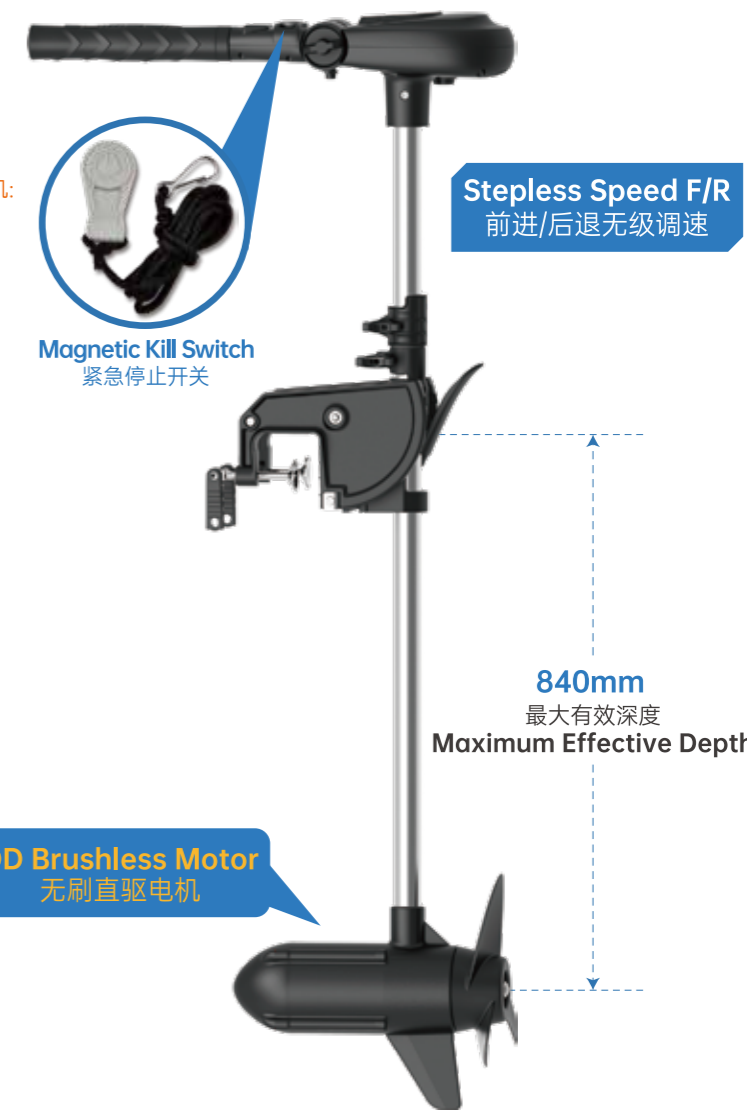


SPECIFICATIONS

- MODEL:** 产品型号:
50728 / 50713
- Shaft Power:** 动力
3HP / 4HP
- Comparable Petrol Outboards (Thrust):** 等效汽油机:
4HP / 5HP
- Power of thrust:** 峰值推力:
110Lbs / 130Lbs
- Max Voltage:** 电压:
DC 24V (All)
- Power - Max:** 功率:
1200W / 1800W
- Amp - Max:** 电流:
50A / 75A
- Depth Adjustment:** 深度调节:
Depth Collar (All)
- Prop Type:** 螺旋桨型号:
3-blade prop / 11.8 inch diam
- Prop Speed at Full Power:** 转速:
Max. 630 rpm underwater (50728)
Max. 1100 rpm underwater (50713)
- Battery Type Required:** 电池要求:
2 x 105AH deep cycle (50728)
2 x 125AH deep cycle (50713)
- Steering:** 转向操控:
360 degree control (All)
- Decibel Level (db):** 噪音等级:
<65db (All)
- Weight (N.W.):** 重量:
8.0kg / 8.3kg
- Shaft Type:** 主杆类型:
Cast Aluminum (50728)
Stainless Steel (50713)
- Shaft Length:** 主杆长度:
900mm / 1000mm
- Colour:** 颜色:
Black (All)
- Max Boat Length (Suggestion):** 船长:
7m / 7.5m

SPECIFICATIONS

- MODEL:** 产品型号:
50719
- Shaft Power:** 动力
5HP
- Comparable Petrol Outboards (Thrust):** 等效汽油机:
6HP
- Power of thrust:** 峰值推力:
160Lbs
- Max Voltage:** 电压:
DC 24V
- Power - Max:** 功率:
2520W
- Amp - Max:** 电流:
105A
- Depth Adjustment:** 深度调节:
Depth Collar
- Prop Type:** 螺旋桨型号:
3-blade prop / 10.7 inch diam
- Prop Speed at Full Power:** 转速:
Max. 1450 rpm underwater
- Battery Type Required:** 电池要求:
2 x 120AH deep cycle
- Steering:** 转向操控:
360 degree control
- Decibel Level (db):** 噪音等级:
<55db (All)
- Weight (N.W.):** 重量:
14kg
- Shaft Type:** 主杆类型:
Stainless Steel
- Shaft Length:** 主杆长度:
1000mm
- Colour:** 颜色:
Black
- Max Boat Length (Suggestion):** 船长:
8m



The Protruar G series are equipped with a powerful 24V brushless motor providing excellent propulsion for a variety of boat in various waters. They're equipped with step-less speed control and emergency kill switch. The motor can be easily tilted and are height adjustable to suit different depth of water. As additional safety feature on the Protruar G series are anti-impact propeller technology, which means it will temporarily disengage the drive to protect the motor and propeller in the event of an impact. They are equipped with LED battery status indicators, and are suitable for both salt water and fresh water use.

Protruar G系列配备了强大的24V无刷电机，可以为各种船在各水域提供出色的动力。其配备无极可调速度控制和紧急停止开关。电机可以轻松地倾斜放入水中，出水也可轻松提起放置。微调高度可以通过快速锁定系统进行调节，因此您可以在任何深度的水域中使用本款电机。作为一项额外的安全功能，Protruar G系列配备了抗冲击螺旋桨技术，这意味着在发生冲击时可以更好的保护电机和螺旋桨。它们配有LED电池电量指示器。适合在海水和淡水中使用。

角度调节支架 TILTABLE BRACKET

Offer 7 levels of tilting position

无极变速调节 SPEED CONTROL

Digital technology provide stepless forward and reverse speed control.

螺旋桨离合功能 PROP-CLUTCH

Prop temporarily disengages on hard impact preventing damage to prop motor.

电源显示 BATTERY STATUS

Display 5 levels of battery power.

角度调节支架 TILTABLE BRACKET

Offer 7 levels of tilting position

无极变速调节 SPEED CONTROL

Digital technology provide stepless forward and reverse speed control. A magnetic kill switch for safety.

伸缩+角度调节操纵手柄 EXTEND & FOLD

400mm length of handle extension. Trolling handle has folding functions. Folding angle:180°

电源显示 BATTERY STATUS

Display 3 levels of battery power.

The Protruar 5.0 is equipped with a powerful 24V brushless motor capable of providing massive thrust of up to 160 pounds, thus providing excellent propulsion for various boats in various waters ways. It's equipped with stepless speed control and magnetic emergency kill switch. The motor can be easily tilted and height adjusted to suit most water depths. Protruar model is also equipped with an LED battery status indicator and is suitable for both salt water and fresh water use.

Protruar 5.0配备了强大的24V无刷电机，可提供160磅的巨大推力，为船只提供各种水域中提供了出色的推进力，配备无极调速控制和磁性紧急停止开关。电机可以轻松地倾斜放入水中，出水也可轻松提起放置。微调高度可以通过快速锁定系统进行调节，因此您可以在任何深度的水域中使用本款产品。这款Protruar型号还配备了LED电池电量指示器。适合在海水和淡水中使用。

MODEL PROTRUAR 3.0

50754 | **50756**
12V-2.0HP | 12V-3.0HP

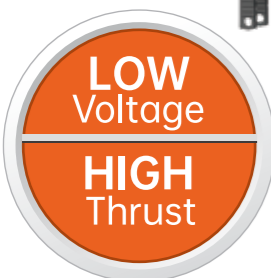
LOW VOLTAGE & HIGH THRUST SERIES
电动无刷推进器-低电压大马力系列

Stepless Speed Control
Extendable Handle
无级变速可伸缩手柄



Magnetic Kill Switch
紧急停止开关

Stepless Speed F/R
前进/后退无级调速



DD Brushless Motor
无刷直驱电机

型号 Model	杆长 Shaft Length	有效深度 Effective Depth
50754	900mm	740mm
50756	1000mm	840mm

SPECIFICATIONS

MODEL: 产品型号:
50754 / 50756

Shaft Power: 动力
2HP / 3HP

Comparable Petrol Outboards (Thrust): 等效汽油机:
3HP / 4HP

Power of thrust: 峰值推力:
85Lbs / 110Lbs

Max Voltage: 电压:
DC 12V (All)

Power - Max: 功率:
720W / 900W

Amp - Max: 电流:
60A / 75A

Depth Adjustment: 深度调节:
Depth Collar (All)

Prop Type: 螺旋桨型号:
3-blade prop / 10.7 inch diam (All)

Prop Speed at Full Power: 转速:
Max. 1150 rpm underwater (50754)
Max. 1250 rpm underwater (50756)

Battery Type Required: 电池要求:
1 x 120AH deep cycle (All)

Steering: 转向操控:
360 degree control (All)

Decibel Level (db): 噪音等级:
< 55db (All)

Weight (N.W.): 重量:
10.3kg / 14.5kg

Shaft Type: 主杆类型:
Stainless Steel (All)

Shaft Length: 主杆长度:
900mm / 1000mm

Colour: 颜色:
Black (All)

Max Boat Length (Suggestion): 船长:
6.5m / 7m

50765
12V-55Lbs

MODEL PROTRUAR GENIUS

ELECTRIC BRUSHLESS SERIES 电动无刷推进器系列

SPECIFICATIONS

MODEL: 产品型号:
50765

Shaft Power: 动力
55Lbs / 40Lbs / 30Lbs

Comparable Petrol Outboards (Thrust): 等效汽油机:
1.5HP / 1.2HP / 1HP

Power of thrust: 峰值推力:
55Lbs / 40Lbs / 30Lbs

Max Voltage: 电压:
DC 12V

Power - Max: 功率:
660W / 500W / 360W

Amp - Max: 电流:
55A / 42A / 30A

Depth Adjustment: 深度调节:
Depth Collar

Prop Type: 螺旋桨型号:
2-blade prop / 7.6 inch diam

Prop Speed at Full Power: 转速:
Max. 1600 rpm underwater

Battery Type Required: 电池要求:
1 x 105AH deep cycle

Steering: 转向操控:
360 degree control

Decibel Level (db): 噪音等级:
< 50db

Weight (N.W.): 重量:
4.4kg

Shaft Type: 主杆类型:
Cast Aluminium

Shaft Length: 主杆长度:
800mm

Colour: 颜色:
Black

Max Boat Length (Suggestion): 船长:
5.5m



Stepless Speed Control
无级变速控制

Stepless Speed F/R
前进/后退无级调速



30Lb 40Lb 55Lb
POWER Switch
换挡按键

600mm
最大有效深度
Maximum Effective Depth

DD Brushless Motor
无刷直驱电机

Protruar 3.0 is equipped with a 12V brushless motor and provides powerful 110lbs thrust of power, providing excellent thrust power for various boats in various waters. Equipped with step-less speed control and magnetic emergency kill switch. The motor can be easily tilted and height adjusted to suit different water depth. It has an LED voltage status indicator and is suitable for both salt water and fresh water use.

Protruar 3.0 配备了12V无刷电机并提供强大的110磅推力，为各种船只在各种水域中提供了出色的推进力。配备无级可调速度控制和磁性紧急停止开关。电机可以轻松倾斜放入水中，出水也可轻松提起放置。微调高度可以通过快速锁定系统进行调节，因此您可以在任何深度的水域中使用电机。它具有LED电压指示器，适合在海水和淡水中使用。

角度调节支架 TILTABLE BRACKET



Offer 7 levels of tilting position

伸缩+角度调节操纵手柄 EXTEND & FOLD



400mm length of handle extension. Trolling handle has folding functions. Folding angle:180°

角度调节支架 TILTABLE BRACKET



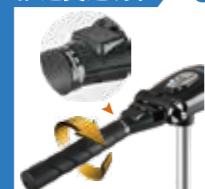
Offer 10 or 7 levels of tilting position

推进变速调节 SPEED CONTROL



PWM controller provide stepless forward and reverse speed control and magnetic kill switch

推进变速调节 SPEED CONTROL



PWM controller provide stepless forward and reverse speed control. With magnetic kill switch.

电源显示 BATTERY STATUS



Display 3 levels of battery power.

伸缩+角度调节操纵手柄 EXTEND & FOLD



400mm length of handle extension. Trolling handle has folding functions. Folding angle:180°

换挡按键 EXCHANGED BUTTON



With three-gear switching function. - 30/40/50Lbs of thrust

The Protruar Genius 55 Lbs thrust uses a unique and durable 12V brushless motor that can be switched between three different power modes, 30/40 and 55 pounds of thrust. If you want to extend the running time, then choose a lower pound thrust power mode. Want more speed, up the pounds thrust.

The depth of the motor can be easily adjusted, so you can use the motor in most depths of water. The steering handle can be adjusted to different angles to achieve a more comfortable control steering posture. The Protruar Genius model comes with LED battery indicators and is suitable for both salt water and fresh water use.

Protruar Genius 55磅系列采用耐用的12伏无刷电机，推进器可切换三种不同动力模式使用（30磅、40磅和55磅）。如果您想延长运行时间，可以选择较低磅推力模式进行使用。

马达高度方便进行调整，所以您可以在大部分深度的水域中使用推进器。转向手柄可调节到不同的角度，从而获得更舒适的控制驾驶姿态。所有Protruar Genius型号配有LED电池电量指示器。适合在海水和淡水中使用。

MODEL ULTIMA

50741 with
29.6V-3.0HP LIPO Battery

RECHARGEABLE LIPO BATTERY SERIES 电动无刷推进器-带可充电锂电池豪华系列

SPECIFICATIONS

- MODEL:** 产品型号: **50741**
- Shaft Power:** 动力 3HP / 1HP
- Comparable Petrol Outboards (Thrust):** 等效汽油机: 4HP / 2HP
- Power of thrust:** 峰值推力: 110Lbs / 65Lbs
- Max Voltage:** 电压: DC 29.6V
- Power - Max:** 功率: 1030W / 480W
- Amp - Max:** 电流: 35A / 16A
- Depth Adjustment:** 深度调节: Not Available
- Prop Type:** 螺旋桨型号: 3-blade prop / 9.3 inch diam
- Prop Speed at Full Power:** 转速: Max. 1530 rpm underwater
- Battery Type Required:** 电池要求: 29.6V, 30AH rechargeable LIPO battery
- Charging Time:** 充电时间: 8~9 hours
- Steering:** 转向操控: 360 degree control
- Decibel Level (db):** 噪音等级: <55db
- Weight (N.W.):** 重量: 15.9kg
- Shaft Type:** 主杆类型: Cast Aluminium
- Shaft Length:** 主杆长度: 540 / 630 / 760 mm
- Colour:** 颜色: Black
- Max Boat Length (Suggestion):** 船长: 7m

型号 Model	杆长 Shaft Length	有效深度 Effective Depth
	540mm	410mm
50741	630mm	500mm
	760mm	630mm

Stepless Speed Control Extendable Handle
无级变速可伸缩手柄

Stepless Speed F/R
前进/后退无级调速

Rechargeable LIPO Battery & Charger Included
配套可充电锂电池&充电器

59925



29.6V-30Ah 7.5kg

Output: 4A
Input: 100V~240V



Selector Button
换挡按键



Kill Switch
紧急停止开关

DD Brushless Motor
无刷直驱电机

型号 MODEL	最大速度 Max.speed (km/h)	行程 Range (km)	最大持续时间 Max.running time hh:mm
慢档 (1.0HP) Slow(1.0HP)	4	8	02:00
快档 (3.0HP) Full throttle(3.0HP)	8.8	8.7	01:00

The **Ultima 3.0** brushless motor is powered by a 29.6V LIPO (lithium polymer) and can provide 110 pounds of thrust. This is an excellent motor suitable for small boats, inflatable boats and Haswing portable assembly boats, equipped with step-less adjustable speed control and magnetic safety emergency kill switch. The motor can be easily tilted and placed in the water and can also be easily lifted and placed when comes out of water, so you can put the motor down and use it in most water levels. LIPO batteries are detachable for charging and come with a battery charger. And spare batteries can be purchased separately. The LED battery status indicator provides clear battery status at a glance, suitable for both salt water and fresh water use.

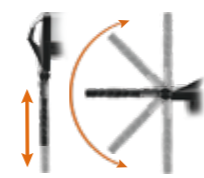
Ultima 3.0由29.6V的锂电池为无刷电机供电, 可提供110磅的推力。这是一款优秀的电机, 适用于小型船只、充气艇和Haswing便携式组装船等, 配备无极可调速度控制和磁性安全紧急停止开关。电机可以轻松倾斜放入水中, 出水也可轻松提起放置, 因此您可以在大部分深度的水域中放下电机使用。LIPO电池可拆卸充电, 提供电池充电器。并可另外选购备用电池。LED电池电量指示灯提供电池状态一目了然, 适合海水和淡水使用。

推进变速调节 SPEED CONTROL



PWM controller provide stepless forward and reverse speed control. With magnetic kill switch.

伸缩+角度调节操纵手柄 EXTEND & FOLD



400mm length of handle extension. Trolling handle has folding functions. Folding angle:180°

换挡按键 EXCHANGED BUTTON



With high and low gear switching function - 1HP or 3HP

电源显示 BATTERY STATUS



Display 5 levels of battery power.

MODEL 50749

24V-50Lbs

MODEL VENTURA T

ELECTRIC BRUSHLESS SERIES 电动无刷推进器系列

SPECIFICATIONS

- MODEL:** 产品型号: **50749**
- Shaft Power:** 动力 5HP
- Comparable Petrol Outboards (Thrust):** 等效汽油机: 6HP
- Power of thrust:** 峰值推力: 160Lbs
- Max Voltage:** 电压: DC 24V
- Power - Max:** 功率: 2520W
- Amp - Max:** 电流: 105A
- Depth Adjustment:** 深度调节: Not Available
- Prop Type:** 螺旋桨型号: 3-blade prop / 10.7 inch diam
- Prop Speed at Full Power:** 转速: Max. 1450 rpm underwater
- Battery Type Required:** 电池要求: 2 x 120AH deep cycle
- Steering:** 转向操控: 360 degree control
- Decibel Level (db):** 噪音等级: <55db
- Weight (N.W.):** 重量: 15.7kg
- Shaft Type:** 主杆类型: Stainless Steel + Aluminium
- Shaft Length:** 主杆长度: 630 / 760mm
- Colour:** 颜色: Black
- Max Boat Length (Suggestion):** 船长: 8m

Stepless Speed Control Extendable Handle
无级变速可伸缩手柄

Stepless Speed F/R
前进/后退无级调速

Foldable Handle
角度调节旋钮

630/760mm
杆长可定制
Short & Long shaft lengths available



Magnetic Kill Switch
紧急停止开关

DD Brushless Motor
无刷直驱电机

角度调节支架 TILTABLE BRACKET



Offer 7 levels of tilting position

推进变速调节 SPEED CONTROL



PWM controller provide stepless forward and reverse speed control.

伸缩+角度调节操纵手柄 EXTEND & FOLD



400mm length of handle extension. Trolling handle has folding functions. Folding angle:180°

电源电压显示 BATTERY STATUS



Shows voltage of battery all the time.

Ventura T is equipped with a powerful brushless 160 lbs thrust 24V motor suitable for use on various boats in a wide range of waterways. This powerful motor is equipped with step-less speed control and magnetic emergency kill switch. The motor can be easily tilted for shallow water running. The **Ventura T** model is also equipped with a constant LED battery display. It is suitable for both salt water and fresh water use and available in a variety of shaft lengths.

Ventura T配备了无刷160Lbs/24V电机, 非常适合各种船只在各水域里使用。这种强大的电机配备了无极可调速度控制和紧急停止开关。电机可以轻松倾斜放入水中, 出水也可轻松提起, 因此您可以在大部分深度的水域放下电机使用。**Ventura T**型号还配备了LED电池电量指示器, 适合在海水和淡水中使用。

MODEL VENTURA F

50752
24V-5.0HP

STEERING WHEEL SERIES 电动无刷推进器豪华方向盘系列



Steering Wheel Unit is Required!
需另配方向盘!



Stepless Speed F/R
前进/后退无级调速



Magnetic Kill Switch
紧急停止开关



630/760mm
杆长可定制
Short & Long shaft lengths available

DD Brushless Motor
无刷直驱电机

SPECIFICATIONS

MODEL: 产品型号:
50752

Shaft Power: 动力
5HP

Comparable Petrol Outboards (Thrust): 等效汽油机:
6HP

Power of thrust: 峰值推力:
160Lbs

Max Voltage: 电压:
DC 24V

Power - Max: 功率:
2520W

Amp - Max: 电流:
105A

Depth Adjustment: 深度调节:
Not Available

Prop Type: 螺旋桨型号:
3-blade prop / 10.7 inch diam

Prop Speed at Full Power: 转速:
Max. 1450 rpm underwater

Battery Type Required: 电池要求:
2 x 120AH deep cycle

Steering: 转向操控:
360 degree control

Decibel Level (db): 噪音等级:
< 55db

Weight (N.W.): 重量:
15.7kg

Shaft Type: 主杆类型:
Stainless Steel + Aluminium

Shaft Length: 主杆长度:
630 / 760mm

Colour: 颜色:
Black

Max Boat Length (Suggestion): 船长:
8m

角度调节支架 TILTABLE BRACKET



Offer 4 levels of tilting position with 3 angles additional option.

无级变速器及感应开关 STEPLESS SPEED CONTROLLER



Digital technology provide stepless forward and reverse speed control. Magnetic kill switch is included.

另购方向盘操控 STEERING WHEEL CONTROL



An additional steering wheel unit is required. The steering angle: from -45° to +45°.

电源显示 BATTERY STATUS



Shows voltage of battery all the time.

The Ventura F series is equipped with a powerful 24V brushless motor that can provide up to 160lbs of thrust power, making it very suitable for various boats to use in various waters. This powerful motor is equipped with step-less speed control and a magnetic emergency kill switch. The motor can be easily tilted and inserted into the water, and the water can also be easily lifted, so you can put the motor down and use it in most waters. The Ventura F series uses a digital LED battery status indicator. Additional steering wheel device is required, suitable for both salt water and fresh water use.

Ventura F系列配备了强大的24V无刷电机，可提供高达160磅的推力，非常适合各种船只在水域中使用。这种强大的电机配备了无极可调速度控制和磁性紧急停止开关。电机可以轻松倾斜放入水中，出水也可轻松提起，因此您可以在大部分深度的水域中放下电机使用。Ventura F系列具有数字LED电池电量指示器。需要额外的方向盘装置，适合在海水和淡水中使用。

50731
48V-8.0HP

50732
48V-10.0HP

ELECTRIC BRUSHLESS SERIES 电动无刷推进器系列

MODEL ARMADA T

SPECIFICATIONS

MODEL: 产品型号:
50731 / 50732

Shaft Power: 动力
8HP / 10HP

Comparable Petrol Outboards (Thrust): 等效汽油机:
10HP / 12HP

Power of thrust: 峰值推力:
250Lbs / 300Lbs

Max Voltage: 电压:
DC 48V (All)

Power - Max: 功率:
4320W / 6000W

Amp - Max: 电流:
90A / 125A

Depth Adjustment: 深度调节:
Not Available (All)

Prop Type: 螺旋桨型号:
3-blade prop / 11.8 inch diam (All)

Prop Speed at Full Power: 转速:
Max. 1050 rpm underwater (50731)
Max. 1200 rpm underwater (50732)

Battery Type Required: 电池要求:
4 x 120AH deep cycle (50731)
4 x 250AH deep cycle (50732)

Steering: 转向操控:
360 degree control (All)

Decibel Level (db): 噪音等级:
< 75db (All)

Weight (N.W.): 重量:
27.3kg / 28.8kg

Shaft Type: 主杆类型:
Cast Aluminium (All)

Shaft Length: 主杆长度:
540mm / 670mm

Colour: 颜色:
Black (All)

Max Boat Length (Suggestion): 船长:
9m



Stepless Speed Control
Extendable Handle
无级变速可伸缩手柄

Stepless Speed F/R
前进/后退无级调速



Magnetic Kill Switch
紧急停止开关



Max: DC 48V / 200A
Power Switch(200A)
船用大电流开关(200A)

540/670mm

Gear Box
变速齿轮箱

角度调节支架 TILTABLE BRACKET



Offer 3 levels of tilting position, the angle is 18°, 27°, 60°.

伸缩+角度调节操纵手柄 EXTEND & FOLD



360mm length of handle extension. Trolling handle has folding functions. Folding angle: 180°

循环水冷系统 WATER COOLING



Water cooling system when the motor is moving forward.

电源电压显示 BATTERY STATUS



Shows voltage of battery all the time.

The Armada T series are equipped with an efficient 48V brushless motor, which can provide powerful thrust for boats operating in a variety of waterways. They provide flexible stepless speed control, an emergency magnetic kill switch provides more security. The motor can be easily tilted and put into the water and can also be easily lifted out of water, so you can put the motor down and use it in most waters. The Armada T series are also equipped with a digital LED battery status display and is suitable for both salt water and fresh water use.

Armada T系列配备了高效的48V无刷电机，可以为在各种水域中运行的船只提供强大的推进力。它们提供灵活的无级速度调节控制，紧急停止开关提供了更有保障的安全性。电机可以轻松倾斜放入水中，出水也可轻松提起，因此您可以在大部分深度的水域中放下电机使用。Armada T系列还配备了数字LED电池电量指示器。适合在海水和淡水中使用。

MODEL
ARMADA F

50733 | **50734**
48V-8.0HP | 48V-10.0HP

STEERING WHEEL SERIES 电动无刷推进器豪华方向盘系列



59921
Stepless Speed F/R
前进/后退无级调速



59920
Circuit Breaker(200A)
船用大电流开关(200A)



Not Included!
Steering Wheel Unit
is Required!
需另配方向盘!



Brushless Motor with Gear Box
无刷齿轮箱变速电机

Level Lock Bracket
支架

540/670MM



Magnetic Kill Switch
紧急停止开关

Gear Box
变速齿轮箱

SPECIFICATIONS

MODEL: 产品型号:
50733 / 50734

Shaft Power: 动力
8HP / 10HP

Comparable Petrol Outboards (Thrust): 等效汽油机:
10HP / 12HP

Power of thrust: 峰值推力:
250Lbs / 300Lbs

Max Voltage: 电压:
DC 48V (All)

Power - Max: 功率:
4320W / 6000W

Amp - Max: 电流:
90A / 125A

Depth Adjustment: 深度调节:
Not Available (All)

Prop Type: 螺旋桨型号:
3-blade prop / 11.8 inch diam (All)

Prop Speed at Full Power: 转速:
Max. 1050 rpm underwater (50731)
Max. 1200 rpm underwater (50732)

Battery Type Required: 电池要求:
4 x 120AH deep cycle (50733)
4 x 250AH deep cycle (50734)

Steering: 转向操控:
360 degree control (All)

Decibel Level (db): 噪音等级:
≤75db (All)

Weight (N.W.): 重量:
27.3kg / 28.8kg

Shaft Type: 主杆类型:
Cast Aluminium (All)

Shaft Length: 主杆长度:
540mm / 670mm

Colour: 颜色:
Black (All)

Max Boat Length (Suggestion): 船长:
9m

另购方向盘操控 STEERING WHEEL CONTROL



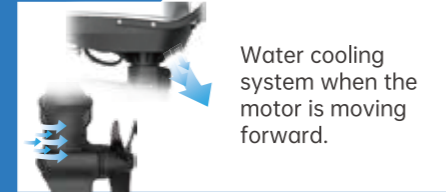
Not Included!
An additional steering wheel unit is required. The steering angle: from -45° to +45°.

无级变速器及感应开关 STEPLESS SPEED CONTROLLER



Included!
Digital technology provide stepless forward and reverse speed control. With magnetic kill switch is included.

循环水冷系统 WATER COOLING



Water cooling system when the motor is moving forward.

电源显示 BATTERY STATUS



Shows voltage of battery all the time.

The Armada F series are equipped with an efficient 48V brushless motor, which can provide powerful thrust for boats operating in a variety of waterways. They provide flexible stepless speed control, and the emergency kill switch provides more security. The motor can be easily tilted and put into the water and can also be easily lifted out of water, so you can put the motor down and use it in most waters. The Armada F series are also equipped with a digital LED battery status display, suitable for both salt water and fresh water use.

Armada F系列配备了高效的48V无刷电机，可以为在各种水域中运行的船只提供强大的推进力。它们提供灵活的无级速度调节控制，紧急停止开关提供了更有保障的安全性。电机可以轻松倾斜放入水中，出水也可轻松提起，因此您可以在大部分深度的水域中放下电机使用。Armada F系列还配备了数字LED电池电量显示器。适合在海水和淡水中使用。

MODEL
W40

54706
12V-40Lbs

SPECIFICATIONS

MODEL: 产品型号:
54706

Shaft Power: 动力
40Lbs

Comparable Petrol Outboards (Thrust): 等效汽油机:
1HP

Power of thrust: 峰值推力:
40Lbs

Max Voltage: 电压:
DC 12V

Power - Max: 功率:
660W

Amp - Max: 电流:
55A

Depth Adjustment: 深度调节:
Not applicable

Prop Type: 螺旋桨型号:
2-blade prop / 7.6 inch diam

Prop Speed at Full Power: 转速:
Max. 1500 rpm underwater

Battery Type Required: 电池要求:
1 x 105AH deep cycle

Decibel Level (db): 噪音等级:
≤55db (All)

Weight (N.W.): 重量:
3.4kg

Driving Type: 驱动模式:
5 Forward and 5 Reverse control

Colour: 颜色:
Black / Orange

Max Boat Length (Suggestion): 船长:
5m



Speed Control Knob
调速旋钮

Propeller Alignment Lever
纠正杆

Detent Axis
卡位轴

140mm
最大有效深度
Maximum Effective Depth

DD Brushless Motor
无刷直驱电机



Magnetic Kill Switch
紧急停止开关



Not Included! 不含船体!

W40 can be used as the power source for fishing kayaks, equipped with an efficient 12V brushless motor, which can provide excellent thrust power for kayaks in a wide variety of waterways. There are 5 forward and 5 reverse speeds to offer the right speed for every fishing situation. W40 is equipped with a digital battery status display and an emergency kill switch for safer and more reassuring use. Furthermore the W40 series is suitable for a range of kayak brands including Hobie and many others, so select the correct version for your kayak brand and model. Suitable for salt and fresh water use.

W40作为钓鱼皮艇的动力源，配置了12V无刷电机，可以为皮艇在大多数水域中提供推力；同时还有前进/后退合计10档调速，大大提升您的出船钓鱼体验。W40还配备了电池电量显示器和紧急停止开关，使用过程更加安全放心。另外，本产品同时适配于国标/英标的船体，也适合在海水和淡水中使用。

INCLUDED PARTS FOR KAYAK



独木舟匹配

A Shafts engraved with 12mm x2 for International standard kayaks

B Shafts engraved with 1/2 inch x2 for British standard kayaks

PROPELLER ALIGNMENT LEVER



固定桨叶安装机构

Press the lever down to align blades to vertical position., then insert motor to kayak scupper. Pull the lever up before starting the motor or lever will prevent propeller from spinning.

DRIVING TYPE

驱动模式
5 Forward & 5 Reverse control

REAL-TIME VOLTAGE DISPLAY



实时电压显示
Shows battery voltage all the time

MODEL W40-GPS

54707
12V-40Lbs



SPECIFICATIONS

MODEL: 产品型号:
54707

Shaft Power: 动力
40Lbs

Comparable Petrol Outboards (Thrust): 等效汽油机:
1HP

Power of thrust: 峰值推力:
40Lbs

Max Voltage: 电压:
DC 12V

Power - Max: 功率:
600W

Amp - Max: 电流:
50A

Depth Adjustment: 深度调节:
Not Applicable

Prop Type: 螺旋桨型号:
2-blade prop / 7.6 inch diam

Prop Speed at Full Power: 转速:
Max. 1500 rpm underwater

Battery Type Required: 电池要求:
1 x 105AH deep cycle

Steering: 转向操控:
360 degree control

Decibel Level (db): 噪音等级:
≤55db

Weight (N.W.): 重量:
6.2kg

Colour: 颜色:
Black

Max Boat Length (Suggestion): 船长:
5m

W40-GPS, as an innovative trolling motor for fishing kayaks with spot (anchor) lock function. GPS spot locking function via the on-board GPS module for satellite connectivity. Using the accompanying wireless hand remote controller, not only can the kayak be controlled to move in multiple directions, but also the electronic anchor function can hold the kayak precisely on the spot. The W40-GPS model is equipped with an efficient 12V brushless motor, which can provide adequate thrust for kayak in most waterways. A battery status display and emergency magnetic kill switch are standard for safer and more reassuring fishing experience. In addition, the W40-GPS is compatible with both International and British standard kayak hulls and is also suitable for both salt and fresh water use.

W40-GPS作为一款钓鱼皮艇推进器，新增了GPS定位功能；通过配套的无线遥控器，不仅能操控船体多方位前进，还能实现电子锚功能。本款产品配置了12V无刷电机，可以为皮艇在大多数水域中提供推力。配套的电池电量指示器和紧急停止开关，让使用过程更加安全放心，大大提升您的出船钓鱼体验。另外，W40-GPS同时适配于国标/英标的船体，也适合在海水和淡水中使用。

GPS智能导航系统 GPS SMART NAVIGATION SYSTEM



1. Record Routes
2. GPS Navigation
3. Anchor
4. Cruise Control
5. Heading Lock

实时电压显示 REAL-TIME VOLTAGE DISPLAY



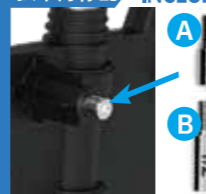
Shows battery voltage all the time.

固定螺旋桨叶机构 PROPELLER ALIGNMENT LEVER



Press the lever down to align blades to vertical position, then insert motor to kayak scupper. Pull the lever up before starting the motor or lever will prevent propeller from spinning.

独木舟标配 INCLUDED PARTS FOR KAYAK



- A** Shafts engraved with 12mm x2 for International standard kayaks
- B** Shafts engraved with 1/2 inch x2 for British standard kayaks

MODEL 54604 WinPAB

MODEL HASWING FISHING BOAT

Portable Assembly Boat 便携式拼装船

BOAT SPECIFICATIONS

MODEL: 产品型号:
54604

Name: 名称:
WinPAB Boat

Dimension: 船体尺寸:
L3.0m x W0.9m x H0.4m

Weight: 重量:
46kg

Max Load: 载重:
250kg

Trolling Motor Recommendation: 需另购推进器:
Item **50702** / 40Lbs (Not Included)

50702 MOTOR SPECIFICATIONS

Power of thrust: 峰值推力:
40Lbs

Max Voltage: 电压:
DC 12V

Power - Max: 功率:
500W

Amp - Max: 电流:
42A

Depth Adjustment: 深度调节:
Depth Collar

Prop Type: 螺旋桨型号:
2-blade prop 9 inch diam

Prop Speed at Full Power: 转速:
Max. 1380 rpm underwater

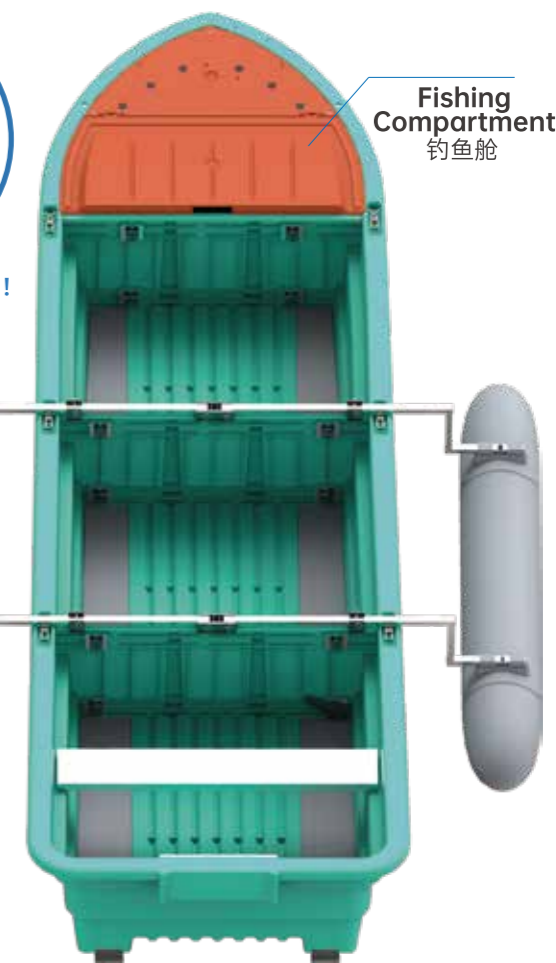
Battery Type Required: 电池要求:
1 x 105AH deep cycle

Decibel Level (db): 噪音等级:
≤50db (All)

Driving Type: 驱动模式:
5 Forward / 3 Reverse control



Air Pump is Included!
配置有充气泵



Retractable Side Pod
可回收侧浮筒



Been Easily Assembled by 4 Parts! 由4段部件简易拼装而成

小体积拼装船 SMALL VOLUME



Compact volume for storage and transporting.

可选配船头机(另购) TROLLING MOTOR 1



Bow Mount Trolling Motor (not included) can be easily mounted.

配置有双浮筒 RETRACTABLE SIDE PODS



2 side pods are included providing added stability when standing and moving around the craft when stationary.

可选配船尾机(另购) TROLLING MOTOR 2



Transom Mount Trolling Motor (not included) can be used if needed.

The innovative HASWING Portable Assembly Ship can be easily and quickly assembled together by connecting four components and can be quickly disassembled and stored when not in use. The boat can be paired with most trolling motors and is equipped with retractable outriggers to ensure stability, allowing you to stand and move freely while the boat is stationary. An electric trolling motor can be installed on the transom and bow. In respect of accessories, it also provides stainless steel suspension brackets, air pumps, 2 aluminum seats, etc.

创新的HASWING便携式拼装船，可以通过连接4个部件轻松快速地组装在一起，并在不使用的情况下可以快速拆卸收纳。该船可与大部分推进器配对使用，同时配备了可伸缩的侧筒浮筒来确保稳定性，可以让您在船体静止状态下能够平稳站立和移动。该船可在船头和船尾安装推进器，配件方面它还提供了不锈钢吊舱支架、气泵、2个铝制座椅等。

PROPELLERS 螺旋桨配件



MODEL: 24000225
3-blade prop. / 9.3 inch
Suitable for MODEL: 50700, 50703, 50706, 50716, 50717, 50736



MODEL: 24001176
3-blade prop. / 10.7 inch
Suitable for MODEL: 50719, 50749, 50752, 50754, 50756



MODEL: 24000236
2-blade prop. / 9 inch
Suitable for MODEL: 50701, 50702, 50708, 50714



MODEL: 24000825
2-blade prop. / 11.4 inch
Suitable for MODEL: 50718D, 50737, 50738, 507139, 50757



MODEL: 24001273
3-blade prop. / 9.3 inch
Suitable for MODEL: 50711, 50712, 50715, 50741, 50744, 50745



MODEL: 24000333
3-blade prop. / 11.8 inch
Suitable for MODEL: 50713



MODEL: 24000522
2-blade prop. / 5.9 inch
Suitable for MODEL: 50735



MODEL: 24000318
3-blade prop. / 11.8 inch
Suitable for MODEL: 50728



MODEL: 24001357
3-blade prop. / 11.8 inch
Suitable for MODEL: 50731, 50732, 50733, 50734



MODEL: 24002005
2-blade prop. / 7.6 inch
Suitable for MODEL: 50765, 54706, 54707

CONTROLLER 遥控器

Wireless Foot Controller 无线脚踏控制器



MODEL: 50805
2.4GHz; LCD Display; With USB Charger; 3.7V/1100mAh LIPO battery included.
Suitable for MODEL: 50736, 50737, 50739

Wireless Foot Controller 无线脚踏控制器



MODEL: 50810
2.4GHz; LCD Display; With USB Charger; 3.7V/1100mAh LIPO battery included.
Suitable for MODEL: 50738

Wired Foot Controller 有线脚踏控制器



MODEL: 50800
LCD Display
Suitable for MODEL: 50700, 50706, 50718D, 50757

Wireless Remote Controller 无线控制器



MODEL: 50802
433MHz; With USB Charger; 3.7V/200mAh LIPO battery included.
Suitable for MODEL: 50700, 50718D, 50706, 50757

Wireless Remote Controller for GPS motors 无线控制器(GPS)



MODEL: 50806
2.4GHz; Bluetooth; Wifi; 3.7V/1100mAh LIPO battery included; With USB Charger.
Suitable for MODEL: 50736, 50737, 50739

Wireless Remote Controller for GPS motors 无线控制器(GPS)



MODEL: 50809
2.4GHz; Bluetooth; Wifi; 3.7V/1100mAh LIPO battery included; With USB Charger.
Suitable for MODEL: 50738

Wireless Remote Controller 无线控制器



MODEL: 50811
2.4GHz; Bluetooth; Wifi; AAA Battery x3 (not included).
Suitable for MODEL: 54707

其他配件 OTHER ACCESSORIES

Sacrificial Anode A 牺牲阳极A




MODEL: 59907
Φ10mm hole
Suitable for MODEL: For HASWING electric motors

Sacrificial Anode B 牺牲阳极B



MODEL: 59908
Φ8mm hole
Suitable for MODEL: For HASWING electric motors

Transformation Bracket 转换支架




MODEL: 59913
Change the bow motor to transom motor.
Suitable for MODEL: 50736, 50737, 50738, 50739, 50742, 50743

Speed Controller 调速器



MODEL: 59921
Suitable for MODEL: 50733, 50734, 50752

60-Amp Clips 小鳄鱼夹



MODEL: 59912
Suitable for MODEL: Amp-Max.: 60A

Quick Release Bracket 快拆板




MODEL: 59924
Suitable for MODEL: 50738, 50773

Metal Display Stand 推进器展示支架




MODEL: 59904
Size: 40cmX50cmX85cm
Material: Powdered coated Steel
Suitable for MODEL: For HASWING electric motors

Circuit Breaker 200A 船用大电流开关(200A)



MODEL: 59920
Suitable for MODEL: 50731, 50732, 50733, 50734

120-Amp Clips 大鳄鱼夹



MODEL: 59916
Suitable for MODEL: Amp-Max.: 120A

Quick Release Bracket 快拆板



MODEL: 59927
Suitable for MODEL: 50700, 50718D, 50736, 50737

Kill Switch 紧急停止拉索



MODEL: 24000645
Suitable for MODEL: 50713, 50728, 50717

LIPO Battery Pack 29.6V/30Ah 锂电池



MODEL: 59925
29.6V/30Ah LIPO battery.
Suitable for MODEL: 50741

Circuit Breaker 80A(Waterproof) 船用大电流开关(80A)



MODEL: 59928
Suitable for MODEL: 50700, 50718D, 50736, 50737, 50738, 50739

Quick Release Bracket 快拆板



MODEL: 59929
Suitable for MODEL: 50738, 50739

Magnetic Kill Switch 紧急停止开关




MODEL: 24000392
Suitable for MODEL: 50719, 50731, 50732, 50733, 50734, 50741, 50749, 50752, 50754, 50756, 54706

Charger for ULTIMA Battery 充电器



MODEL: 59917
Suitable for MODEL: 59925

DC Adapter 直流电源适配器



MODEL: 59915
Input Voltage: 8-15V; Output Voltage: 5V; Output Current: 1.2A Max.
Suitable for MODEL: 50802, 50802N, 50805, 50805N, 50806, 50806N and Smartphones